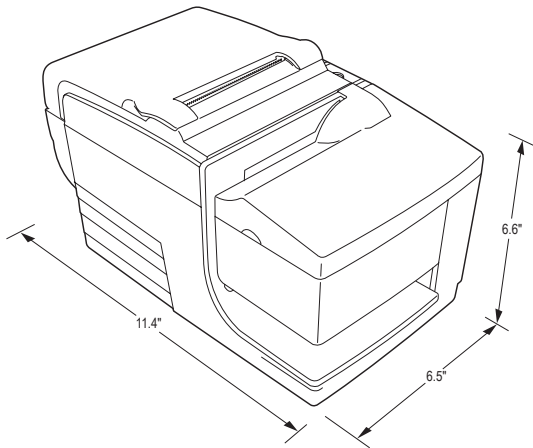


CognitiveTPG A776 COMPACT MULTIFUNCTION PRINTER

Validation and Receipt Printing in Retail, Grocery/Convenience, Government, and Healthcare



From the company that brought you the first thermal/impact hybrid transaction printer with integrated MICR and clam shell drop-in paper loading design, CognitiveTPG offers the retail market its hybrid printer model A776 with two-color/monochrome printing, graphic and image capability, and a small footprint (under 73 sq. in) that fits almost anywhere.



“Fast, Reliable and Compact”

- Fast, maintenance-free thermal receipt/journal printer
- Drop validation impact print station with superior paper handling
- Built in MICR reader with 99% plus accurate read rates
- Cross selling and branding opportunities with our receipt marketing software
- Multiple communication interfaces
- Small footprint allows for more space at the checkout station
- Highest knifelife in industry



A776 COMPACT MULTIFUNCTION PRINTER

PRODUCT HIGHLIGHTS

Maintenance-Free

The A776 requires no scheduled maintenance for years of trouble-free service, backed by a 15 month quality guaranteed warranty. The receipt printer uses standard thermal paper rolls which drop in for easy replacement. The slip printer includes our "clean fingers" ribbon cassette which makes changing the impact ribbon a clean and fast process.

Expand Marketing and Customer Loyalty

CognitiveTPG's ReceiptWare marketing software and the A776 printer enables the user to create custom product promotions, holiday specials, coupons, and other attention grabbing and loyalty building features directly on the receipt.

Versatile Multifunctional Printer

By combining the thermal receipt with the impact slip printing, the A776 delivers fast, reliable printing in a small footprint. The A776 is ergonomically designed to quickly locate slip form for validation and endorsements of checks. The paper low indicator alerts the operator to replace the roll before it interrupts a transaction.



PRINTER DRIVERS

OPOS for Windows XP, & Vista, JPOS for Linux & Windows, Windows Mini Drivers for XP, Vista, 7 & 8, RS-232 Emulation Driver for USB

CERTIFICATIONS

EMC emissions: EN55022:1998 Class B ITE emission requirements (EU); FCC 47 CFR Part 15, Class B emissions requirements (USA), VCCI Class B ITE emissions requirements (Japan); AS/NZS 3548:2002/CISPR22 Class B ITE emission requirements (Australia); EMC Immunity: EN55024:1998/A1:2001 Information technology equipment (EU)

TECHNICAL SPECIFICATIONS

	RECEIPT STATION	SLIP STATION
Print Method	Direct Thermal, 203 DPI	9-Pin Impact
Character Cell Size	13x24, 10x24	7x7, 12x7, 5x9
CPI	15, 6, 20.3	13.9 & 16.8
Print Columns	44 & 56	42 & 51
Print Line Width	2.8 in. (72 mm)	3.02 in. (76.8 mm)

CHARACTER SETS & BARCODES

Resident Code Pages 437, 737, 850, 852, 857, 858, 860, 862, 863, 865, 866, 1251, 1252, and 1255
UPC-A, UPC-E, JAN8, JAN13 (EAN), Code 39, Code 93 Interleaved 2 of 5, Codabar, Code 128, Code 128 extended, EAN 128, RSS, QR, PDF-417

FEATURES

Printing Speed	Monochrome 74.0 LPS (250 mm/sec) 4.8 LPS (16 mm/sec); Two-color 27 LPS (100 mm/sec)
Auto Cutter	Partial Cut
Emulations Available	Application compatible escape commands, TPG A756/A758, ColorPOS
Data Buffer	8K
User Memory	Up to 2 MB: shared for graphics, logos, user defined characters and user data storage
Communication	Dual 9-pin RS-232/USB, 25-pin RS-232, Ethernet, and Powered USB
Power	24 VDC
Options	MICR Reader

MICR READER

Character sets/fonts	E-13B and CMC-7, auto discriminate (Integrated in slip station)
Check Read Rate	99% minimum
Parsing Formats	E-13B only. Programmable to any format

THERMAL PAPER REQUIREMENTS

Paper Type	Direct Thermal, POS Grade(s)
Paper Roll (W X Dia.)	3.15 in. X 3.27 in. (80 mm X 83 mm)

IMPACT SLIP FORMS

Size	2.75 in. X 5.00 in. (69.85 mm x 127.00 mm) minimum front & side
Max. Form Length	11.00 in. (279.4 mm)
Number of Plies	1 - 4 ply multipart
Paper Thickness	0.014 in. maximum (0.35 mm)

RELIABILITY

Thermal Print Mechanism	216 KM paper (64 M lines) monochrome 216 KM two-color (57 M lines)
Auto Knife Cutter	2 million cuts
Impact Print Mechanism	15 million lines
Impact Printhead	200 million characters
MICR reader	200,000 Reads
Warranty	15 months

DIMENSIONS

Footprint (W"x D"xH")	6.5 in. X 11.4 in. X 6.6 in. (165.10 mm X 289.56 mm X 167.64 mm)
Weight	7 lbs. (printer only) 10.5 lbs. (w/carton, pads, and included accessories)