

CognitiveTPG A760 POS Hybrid Multifunction Printer

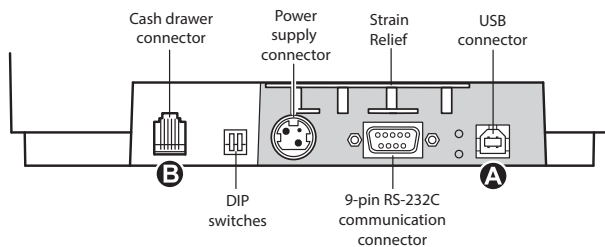
Receipt and Multi-ply Form Printing for Retail, Government, Banking, and Hospitality



“Industry’s Widest Impact Print Zone and Reliable POS Printer”

CognitiveTPG invented the industry’s first hybrid printers by combining thermal and impact printing into a single solution. The A760 provides an accurate and user-friendly way to validate checks and print on multi-part forms up to five plies thick. Designed with over thirty five years of retail POS experience, the A760 integrates fast and reliable thermal printing with the industry’s widest impact print zone.

- Sharp graphics and easy to read text with 203 dpi thermal print resolution
- 180 mm/sec print speed with monochrome printing
- Industry’s widest impact print zone, ideal for large and hard back forms (one to five ply)
- Flat slip table for simple and easy form alignment - checks, slip, forms, and full page documents
- Optional MICR
- Standard 15 month warranty with optional extended warranty up to five years
- Multiple communication interfaces available
- Cross selling and branding opportunities with our receipt marketing software
- Includes emulations for popular wide-format hybrid printers including the A756, A758, 7156, and 7158



RS232 Serial and USB Interface Shown Above



A760 POS Hybrid Multifunction Printer

PRODUCT HIGHLIGHTS

Fast Printing

With a monochrome print speed of 180 mm/sec, CognitiveTPG's A760 hybrid printers keep checkout lines moving.

Reliable Technology

The A760, with its wide, flat slip table, presents an accurate and user friendly platform to print on checks, slips, and multi-part forms. Plus the MICR reader has over 99% check read accuracy rates.

Maintenance Free and Flexible

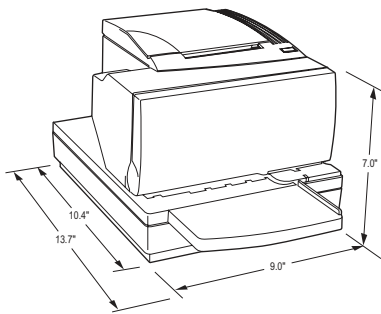
Features such as CognitiveTPG's exclusive self-sharpening ceramic knife allow for long-lasting service with no scheduled maintenance. The A760 has a high compatibility rate, allowing it to fit into many legacy applications.

Designed for Lower Cost of Ownership

With highly integrated electronics, low energy activation paper, and built-in reliability these printers offer the lowest total cost of ownership.

Expanded Marketing and Customer Loyalty

CognitiveTPG's patented ReceiptWare™ marketing software transforms every receipt into a promotional opportunity. Add logos, watermarks, offer promotions, highlight sales and savings, run contests and surveys, promote your Facebook page, include your own QR code. The opportunities are endless.



TECHNICAL SPECIFICATIONS

	RECEIPT STATION	SLIP STATION
Print Method	Direct Thermal, 203 DPI	9-Pin Impact
Character Cell Size	13x24, 10x24	7x7
CPI	15, 6, 20.3	14, 17
Print Columns	44 & 56	66 & 80
Print Line Width	2.8 in. (72 mm)	4.75 in. (120 mm)

CHARACTER SETS & BARCODES

Resident Code Pages	437, 737, 850, 852, 857, 858, 860, 862, 863, 865, 866, 1251, 1252, and 1255
UPC-A, UPC-E, JAN8, JAN13 (EAN), Code 39, Code 93 Interleaved 2 of 5, Codabar, Code 128, Code 128 extended, EAN 128, RSS, QR, PDF-417	

FEATURES

Printing Speed	Monochrome 59.3 LPS (180 mm/sec) 4.8 LPS (16 mm/sec); Two-color 29.6 LPS (100 mm/sec)
Auto Cutter	Partial Cut
Data Buffer	8K
User Memory	Up to 2 MB: shared for graphics, logos, user defined characters and user data storage
Communication	Dual 9-pin RS-232/USB, 25-pin RS-232, and Powered USB
Power	24 VDC
Option	MICR Reader (Integrated in slip station)

MICR READER

Character sets/fonts	E-13B and CMC-7, auto discriminate
Check Read Rate	99% minimum
Parsing Formats	E-13B only. Programmable to any format

THERMAL PAPER REQUIREMENTS

Paper Type	Direct Thermal, POS Grade(s), Kanzaki P320 color
Paper Roll (W X D)	3.15 in. X 3.55 in. (80 mm X 90 mm)

IMPACT SLIP FORMS

Size- Front insertion (L x W)	2.68 in. X 2.00 in. (68 mm x 51 mm)
Size- Side insertion (L x W)	2.00 in. X 8.00 in. (51 mm x 204 mm)
Document	US (8.5" x 11") and EMEA (A4) page sizes
Number of Plies	1 - 5 ply multipart
Paper Thickness	0.0160 in. maximum (0.400 mm)

RELIABILITY

Thermal Print Mechanism	200 KM paper monochrome/two-color
Auto Knife Cutter	1.5 million cuts
Impact Print Mechanism	15 million lines
Impact Printhead	200 million characters
MICR reader	200,000 Reads
Warranty	15 months

DIMENSIONS

Footprint (W"x D"xH")	6.5 in. X 11.4 in. X 6.6 in. (165.10 mm X 289.56 mm X 167.64 mm)
Weight	11 lbs. (printer only) 14 lbs. (w/carton, pads, and included accessories)

PRINTER DRIVERS

OPOS for Windows XP, & Vista, JPOS for Linux & Windows, Windows Mini Drivers for XP, Vista, 7 & 8, RS-232 Emulation Driver for USB
--

CERTIFICATIONS

EMI: FCC, ICES-003, VCCI: Class A; CE, Austel: Class B, Safety: UL 1950, CSA 22.2 No.950, CE (EN60950), MITI (power supply)
