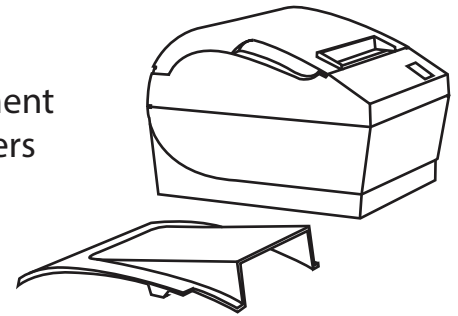


CognitiveTPG Spill Guard Accessory

Quick Installation Guide

The Spill Guard is an accessory designed to complement existing built-in internal and external dams and gutters on CognitiveTPG A798 and A799 printers to provide overall protection from liquid damage.

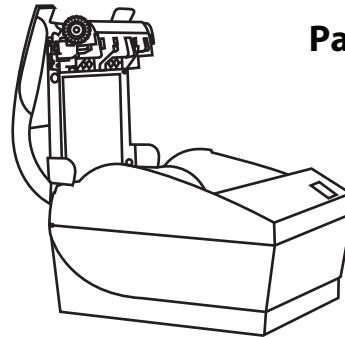


Part #189-7940425

To Install the Spill Guard:

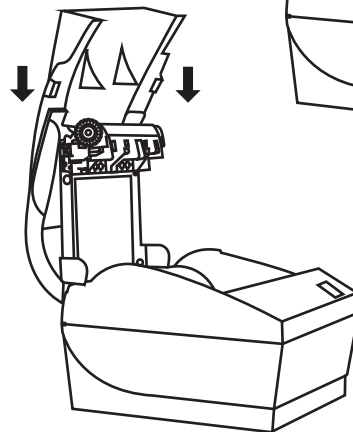
1

Open the printer cover.



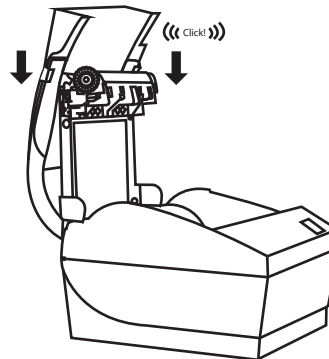
2

Align spill guard tabs with edges of printer cover.



3

Slide spill guard down onto printer cover until it snaps securely into place.



4

Close printer cover. Print sample receipt to verify spill guard is properly installed.



Caution! Damage to spill guard or printer may occur if guard is improperly removed. Contact technical support for assistance.

COGNITIVETPG
www.CognitiveTPG.com

189-9991291B