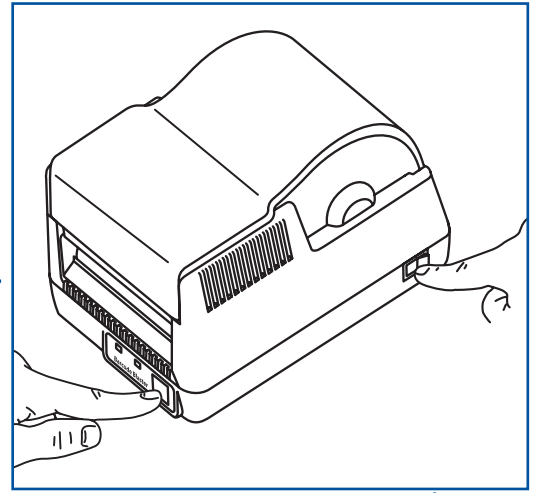


5

PRINT MODE & INDEX METHOD

- Thermal transfer printers can operate in direct thermal or thermal transfer mode and must be set to the correct print mode for proper results
- All Advantage LX printers can use black bar, gap or notch indexing
- Your label printing software should provide the means to set these parameters. See your software documentation for details
- Refer to the Cognitive Programmer's Guide found at <http://www.CognitiveTPG.com/support/downloads/LX> to set these parameters using the Cognitive Programming Language
- The Web site download page includes utilities, Windows drivers, label design software, and additional information



T

SELF TEST

The self test checks the printer's overall operability.

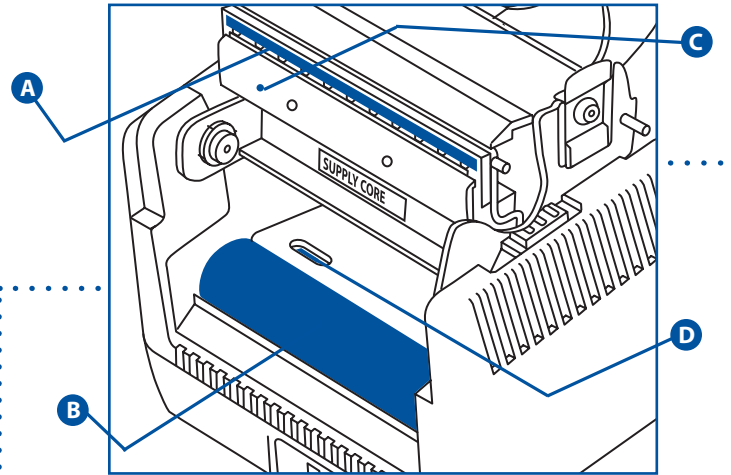
IMPORTANT! The printer should be loaded with media, connected to AC power, and turned off.

- Press and hold the FEED button
- Turn the printer ON while holding the FEED button. Release the FEED button when self test starts to print
- Turn the printer off and on again to return to normal printing operation

IMPORTANT! After performing a self test, the printer is in hexadecimal dump mode and cannot print normally until you cycle the power.

M

MAINTENANCE (With Every Media Roll)



Clean the print head **A**, drive roller **B** and the index sensors **C** and **D** with a soft, lint free cloth lightly saturated with 99% isopropyl alcohol. Press the FEED button to clean all sides of the roller.

CAUTION! Incorrectly cleaning the printer will cause permanent damage and void the printer's warranty. CognitiveTPG recommends using a certified cleaning pen for all your printer's cleaning requirements, P/N 60-14-00-0002.

I

MORE INFO

Visit www.CognitiveTPG.com > Support > Drivers & Downloads to find the latest printer drivers, software, and documentation. You may also contact customer service at 800-732-8950 or 607-274-2500, or by emailing support@CognitiveTPG.com.

WARNING - SHOCK HAZARD and STATIC DISCHARGE:



Never operate the printer in a location where it can get wet. Personal injury could result. The discharge of electrostatic energy that accumulates on the surface of the human body or other surfaces can damage or destroy the print head or electronic components used in this device. **DO NOT TOUCH** the print head or the electronic components under the print head carriage.

CAUTION - PRINTER SETUP & HANDLING:



When installing or modifying the printer setup or configuration, ALWAYS TURN POWER OFF before: (1) connecting any cables, (2) performing any cleaning or maintenance operations, (3) moving the printer.

EUROPEAN COMPLIANCE:

This is a Class A product. In a domestic environment this product may cause radio interference in which case the user may be required to take adequate measures.

FCC DECLARATION OF CONFORMITY:

This equipment has been tested and found to comply with the limits for a Class A digital device, pursuant to Part 15 of the FCC Rules. These limits are designed to provide reasonable protection against harmful interference when the equipment is operated in a commercial environment. This equipment generates, uses, and can radiate radio frequency energy and, if not installed and used in accordance with the instruction manual, may cause harmful interference to radio communications. Operation of this equipment in a residential area is likely to cause harmful interference in which case the user will be required to correct the interference at his own expense.

INDUSTRY CANADA NOTICE:

This class A digital apparatus complies with Canadian ICS-003 requirements.
Cet appareil numérique de la classe A est conforme à la norme NMB-003 du Canada.

General Mailing Address
25 Tri-State International
Suite 200
Lincolnshire, IL 60069

Toll Free: 800.732.8950
Direct: 847.383.7900
Fax: 847.383.7949
Web site: www.CognitiveTPG.com
E-mail: info@CognitiveTPG.com

Technical Support
Toll Free: 800.732.8950, option 4
Direct: 607.274.2500, option 4
E-mail: support@CognitiveTPG.com

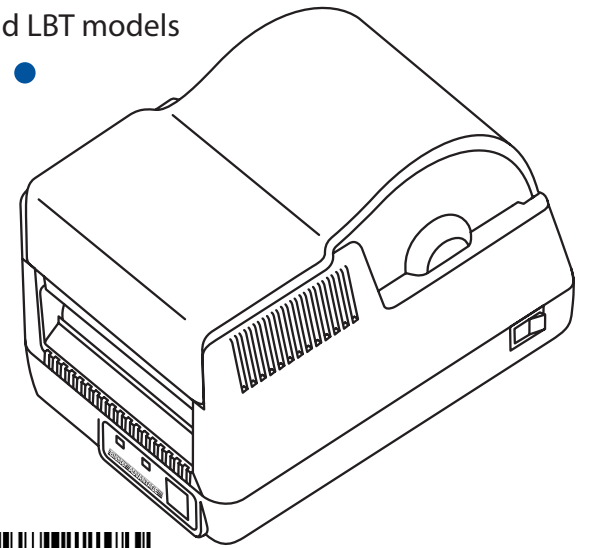
EU Declaration of Conformity		Harmonized Standards:
In accordance with EN ISO 17050-1:2010		EN 50581:2012 Technical Documentation for the assessment of electrical and electronic products with respect to the restriction of hazardous substances
Object of the Declaration:		EN 55024 (1998/A1:2001/A2:2003) Information Technology Equipment Immunity Characteristics
Product: Thermal Receipt Printer		EN 55022 (1998/A1:2001/A2:2003) EMC, Class A, Limits and Methods of Measurement of Interference Characteristics of IT Equipment
Model: LBTXX-XXXX-XXXX		EN 61000-3-2 Harmonic current conditions
LBTXX-XXXX-XXXX		EN 61000-3-3 Flicker and Voltage Changes
DBDXX-XXXX-XXXX		EN 60950-1:2006 / A11:2009 / A1:2010 / A12:2011 / A2:2013
DBTXX-XXXX-XXXX (if = any alphanumeric character)		IEC 60950-1 (ed.2:2006) Product Safety Standard
Manufacturer: CognitiveTPG, LLC		Signed for and on behalf of: CognitiveTPG, LLC
Address: 950 Denby Road, Suite 200, Ithaca, NY 14850 USA		Place of Issue: Ithaca, NY USA
This declaration is issued under the sole responsibility of the manufacturer		Date of Issue: 6/1/2016
The object of the declaration described above is in conformity with the relevant Union harmonization legislation:		Name: Jeffrey C Phoenix
2014/53/EU The Low Voltage Directive		Function: Compliance engineer
2014/53/EU The Electromagnetic Compatibility Directive		Signature:
2011/65/EU The Restriction of Hazardous Substances Directive		
Conformity is shown by compliance with the applicable requirements of the following documents:		

Copyright © 2016 CognitiveTPG. CognitiveTPG™ and ADVANTAGE LX™ are trademarks of CognitiveTPG. Other products and corporate names used in this publication may be trademarks or registered trademarks of other companies and are used only for explanation and to their owner's benefit, without intent to infringe. No part of this manual may be reproduced for any purpose or in any form, including electronic storage and retrieval, without the express permission of CognitiveTPG.

Advantage LX

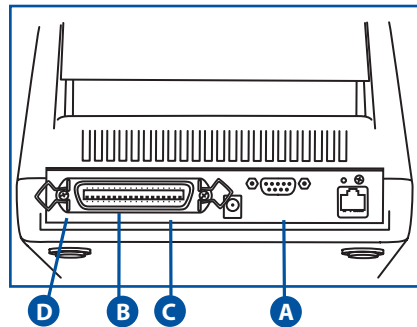
QUICK START GUIDE

All LBD and LBT models



COGNITIVE TPG
www.CognitiveTPG.com

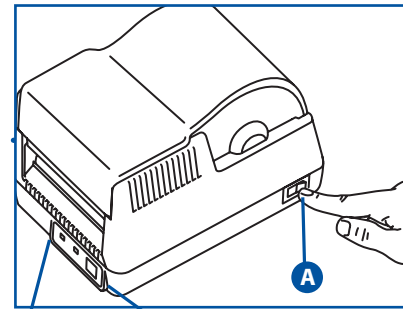
1 POWER & CABLES



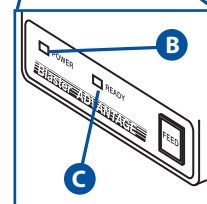
Connect a parallel cable **A**, serial cable **B** or Ethernet cable **C** to the back of the printer. Connect the power cable **D** to the back of the printer and plug it in.

IMPORTANT! Use only the 24VDC power supply provided with the printer. To avoid serious electrical damage to the printer and power supply, plug power cord in last.

Note: This guide shows a LBT42 Ethernet printer. Your printer may look different, but the operations are the same.



Turn the printer on **A**.

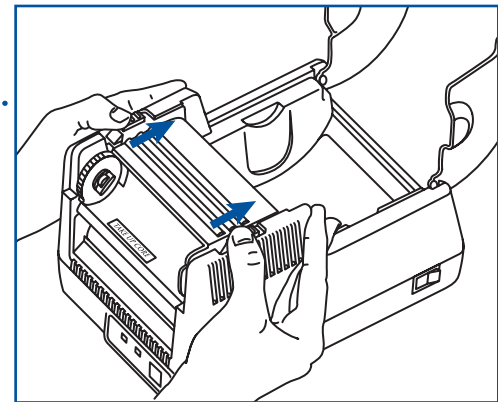


The Power light **B** is green when ready to print.

The Ready light **C** is green when ready to receive data.

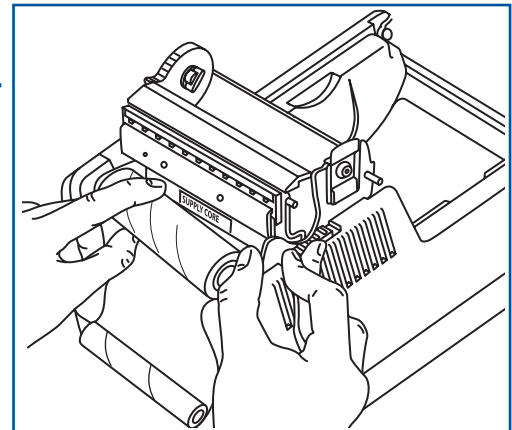
Note: If the Ready light is red, check for printer error, empty media roll, or paused operation during batch mode processing.

2 OPEN PRINTHEAD

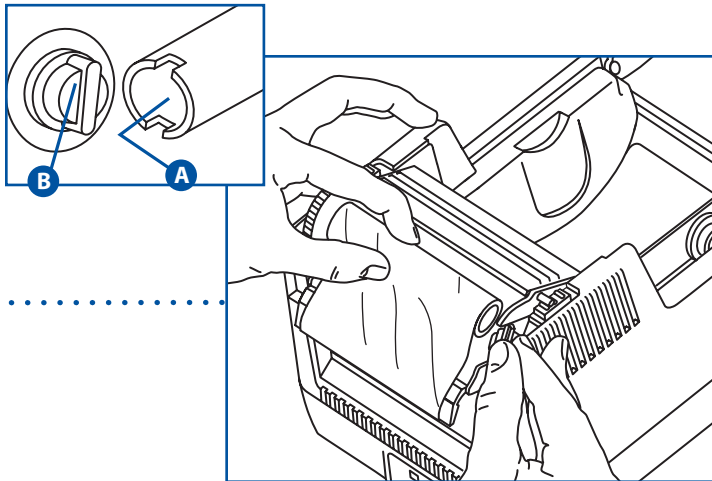


Open the dust cover. Slide back the black latches to release the print mechanism. Raise the mechanism to prepare to load print media or ribbon and to clean the printer.

3 LOAD RIBBON (Thermal Transfer Only)



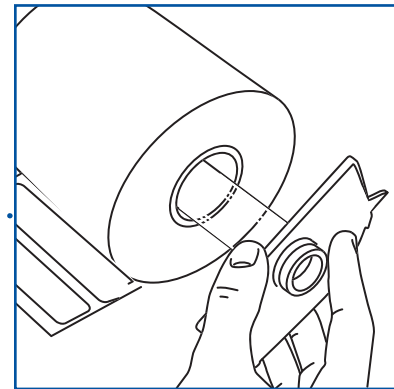
Unwind a few inches of the new ribbon from the supply core. Pull gently on the supply core mount flexible arm and insert the ribbon supply roll.



Turn the ribbon takeup core **A** (see inset) to align the slotted end with the takeup mount **B**. Gently pull the flexible arm out and snap the takeup core into place.

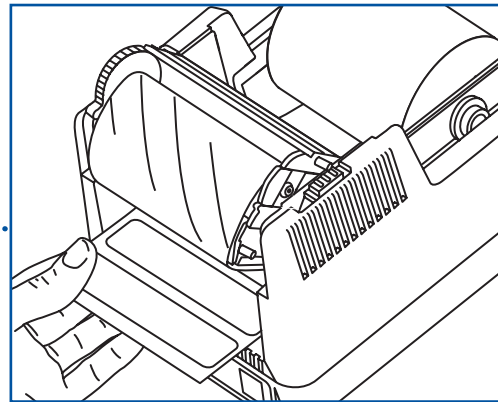
Note: The printer automatically takes up the slack in the ribbon.

4 LOAD MEDIA



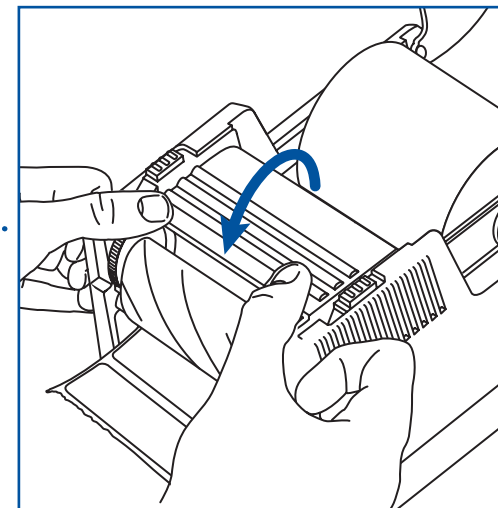
Lift out the media spindle. Load the media onto the spindle, keeping the black media guide to the right of the media roll.

IMPORTANT! The imaging surface must face up as it passes under the print mechanism.



Place the loaded media spindle in the printer with the black guide to the right. Feed the media under the open print mechanism.

Note: The media spindle should fit securely with the black guide pressed securely against the media roll.



Lower the print mechanism and press down firmly to secure latches.

Note: The latches click when properly closed. With the media and ribbon loaded, the Ready light turns green.