

Setup Guide

Start Here

Be sure to read and understand each section of the setup sequence before proceeding.

If you have any questions, please call us at 800-732-8950 or 607-274-2500 or visit www.CognitiveTPG.com.

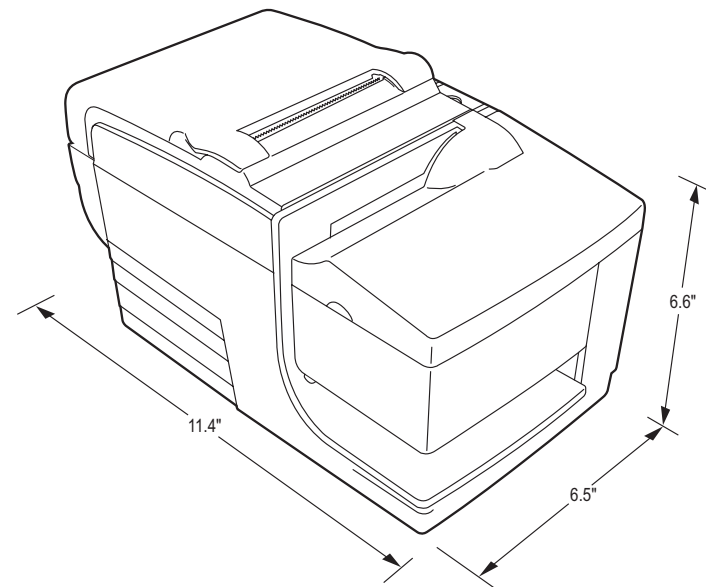
Please visit the website's **Warranty Registration** section to register your printer and provide feedback on its quality.

1 Choose a location

The A776 printer requires minimal counter space and may be set near the host computer. With the RS-232C interface, you can place the printer up to 50 feet (for USB interface up to 15 feet) from the host computer and power supply.

Do not place the printer in a dusty environment or anywhere that spillage of drinks or other liquids can occur.

Be sure the printer is on a level surface and that there is enough room to open the receipt cover to change the paper and to open the front cover to change the impact printer's ribbon cassette.



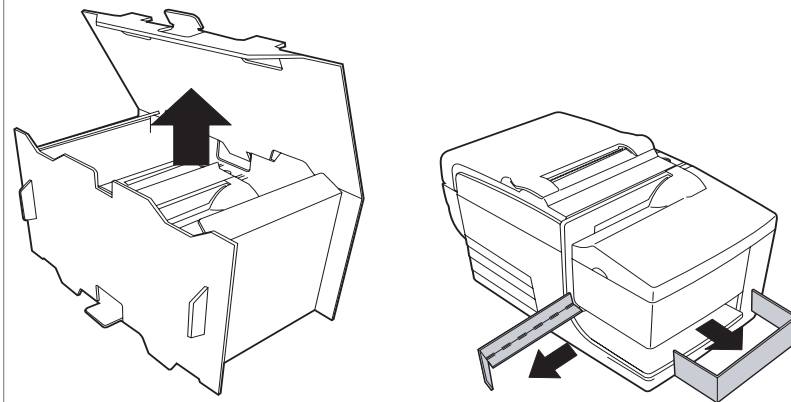
Be sure to leave adequate space at the rear the printer for connecting and accessing the cables.

Be sure to locate the printer away from sources of magnetic interference. Because the printer may have the optional built-in Magnetic Ink Character Recognition (MICR) check reader, you may need to make additional adjustments to the printer's location. Devices such as CRT monitors or large metal surfaces can affect the printer's magnetic field and cause intermittent check reading errors.

2 Unpack the printer

Keep all packaging materials

The packing materials protect the printer and help prevent damage. Be sure to save all the packaging materials - including the plastic bag and the cardboard supports found in the slip path.



3 Check the packing list

Before installation, check that all the items on this list are included (printers shipped in bulk may not include all these items):

- Printer (enclosed in a plastic bag with corrugated pack)
- Test printout protecting the print head (inside receipt bucket)
- Power supply (if ordered), with cable to printer and AC power cord
- Ribbon cassette
- Setup Guide

Report Any Missing or Damaged Items

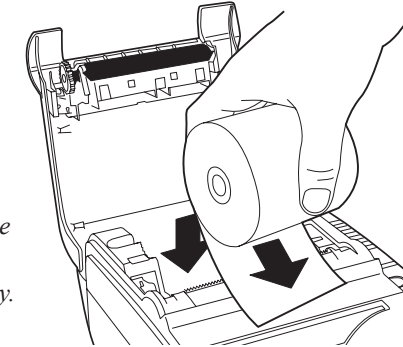
To report any missing materials, or to report a printer that was damaged during shipping, call your supplier or contact CognitiveTPG using any of the methods shown below.

4 Install new receipt paper

- 1 Open the receipt cover and remove the used roll (if present).
- 2 Tear off the end of the new roll so that the edge is loose.
- 3 Place the roll into the paper bucket with the paper unrolling from the bottom of the roll, and with a few inches of paper extending over the cabinet front.



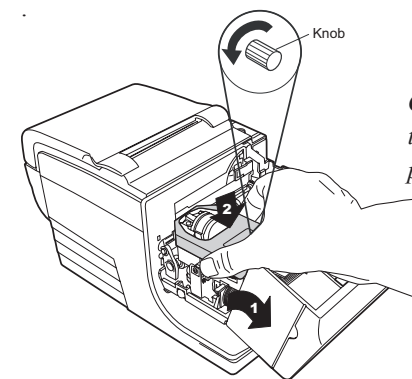
Paper must unroll from the bottom of the roll to insure that the image prints correctly.



- 4 Close the receipt cover while holding the paper over the front of the cabinet.
- 5 Remove the excess paper by tearing it against the tear-off blade.
- 6 Press the paper feed button to advance the paper if necessary.

5 Install the ribbon cassette

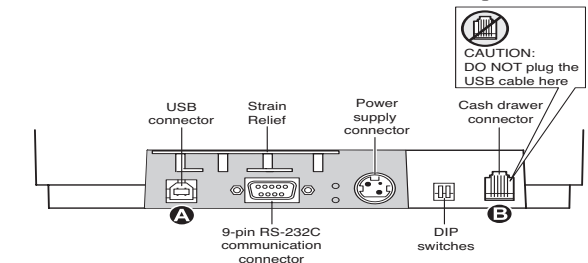
- 1 Open the front cover (1) by grasping the cover on each side at the bottom and swing up.
- 2 Unwrap the new ribbon cassette and tighten the ribbon by turning the knob on the cassette in the direction of the arrow.
- 3 Position the ribbon cassette onto the carriage (2), as shown, making sure the ribbon is not caught on the print head.
- 4 Snap the cassette into place and snap the front cover closed.



Caution: DO NOT remove the transparent mylar shield that protects the exposed ribbon.

6 Connect the cables

All cable connections are made at the rear of the printer.



Note: The rear connector panel varies with different interfaces

Cash drawer cables

- 1 Plug the cable into the cash drawer connector (standard phone jack) next to the pair of dip switches on the rear of the printer.

Note: Use a Y-cable to serve two cash drawers with one printer.

Communication cables

The communication cable connects the printer to the host computer. Route all cables as shown in Cable Routing to provide strain relief.

If installing the RS-232C communication cable:

- 1 Turn off the host computer.
- 2 Plug the communication cable into the connector.
- 3 Secure the connector by tightening the screws.
- 4 Connect the cable to the host computer.
- 5 Turn host computer on.

If installing the USB communication cable:

Caution: Be careful to connect the USB cable only to point A (above). Attempts to connect the USB cable at point B can cause permanent damage to the communications circuitry.

- 1 Host computer can remain on.
- 2 Plug the printer end of the USB cable into the USB connector port on the printer (A).
- 3 Plug the computer end of the USB cable into the computer. Make sure the USB symbol on the connector is facing up.
- 4 Download the USB driver to the host computer from the CognitiveTPG Web site

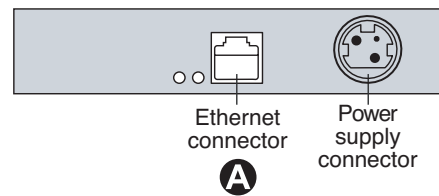
If installing the Powered USB cable:

- 1 Be sure the host computer is powered off.
- 2 Plug the printer end of the USB cable into the USB connector port on the printer.
- 3 Plug the computer end of the USB cable into the computer.
- 4 Download the USB driver to the host computer from the CognitiveTPG Web site

If installing the Ethernet communication cable:

- Host computer can remain on.

Ethernet communication connector panel

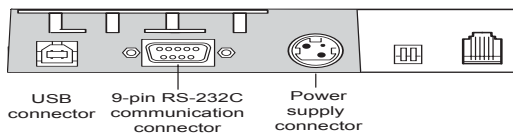


- Plug the printer end of the Ethernet cable into the Ethernet connector port on the printer (A). Make sure the connector snaps firmly in place.
- Plug the computer end of the Ethernet cable into the Ethernet port of the computer. Make sure the connector snaps firmly in place.
- After you have connected the printer, you must set the printer internal parameters for Ethernet operation. See "Ethernet terminology and setup" in the A776 Programming Guide.

Power supply cable

Caution: To avoid damage to the printer, connect the power supply cable last.

9-pin RS-232C/USB communication connector panel configuration (sample shown)

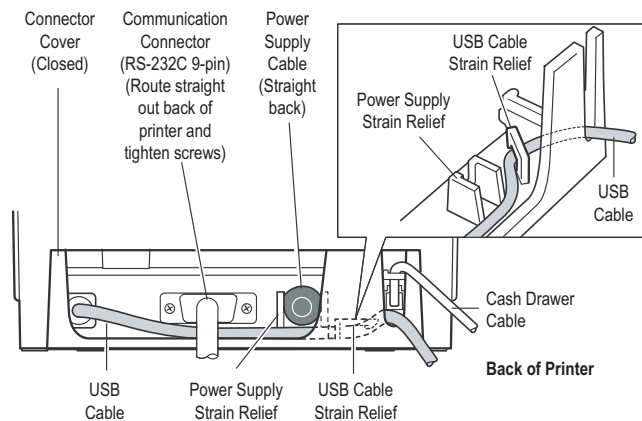


WARNING! Using this device without a grounded outlet is a safety hazard and voids the printer's Warranty, Safety, FCC and CE Mark designation.

- Plug the power cord into the power supply.
- Route the cash drawer and power supply cables through the strain relief as shown below.
- Plug the power cord into the power supply, then plug the power supply into an outlet. The green light on the top cover will light up.

Cable routing

Prevent the printer from being accidentally unplugged by making sure the cables are routed as shown below.



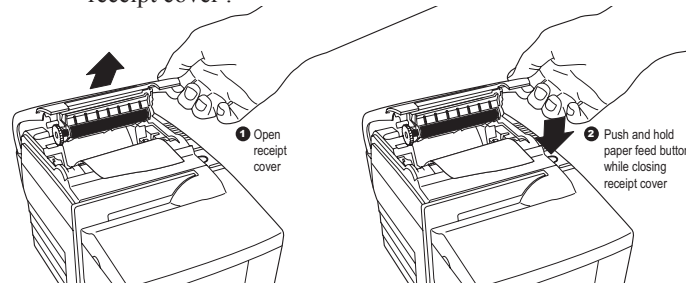
7 Testing the printer

The test prints a complete list of printer settings (Diagnostic form) and partially cuts the paper. The test items listed depend on the printer model.

Instructions at the bottom of the printout describe how to enter the configuration menu and change the current settings of the printer.

Test Procedure

- To run the test:
 - Open the receipt cover (1), then
 - while holding down the paper feed button (2) close the receipt cover.



- Release paper feed button when the printer begins printing the diagnostic printout.
- Review the printout for printer settings.

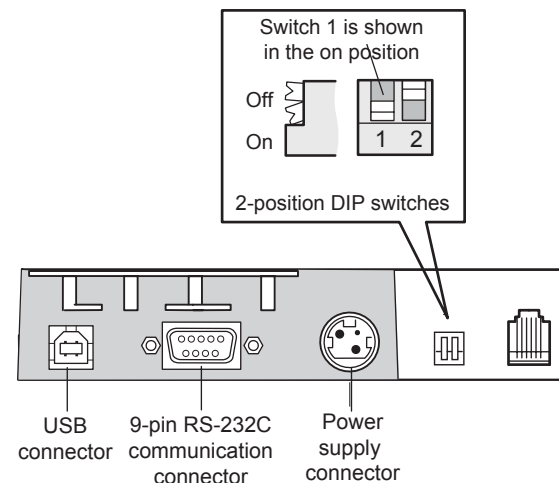
To change any of these settings go to the configuration menu as directed at the bottom of the printout.

8 Configuring the printer

The configuration menu allows you to select functions or change various settings for the printer. Instructions printed on the receipt, guide you through the processes.

Configuration Procedure

- Open the receipt cover be sure there is paper in the printer.
- Turn Printer off and close the receipt cover.



Caution: Be extremely careful changing any of the printer settings to avoid inadvertently changing other settings that might affect the performance of the printer.

- Set DIP switch 1 (below) to the On position (down).
- Turn the power on, then press and hold the paper feed button. The printer prints the diagnostic form and the configuration main menu.
- Follow the printed instructions on the scrolling menu by pressing the paper feed button to make Yes/ No selections.
 - Indicate **Yes** with a long click. (Press and hold paper feed button for at least one second.)
 - Indicate **No** with a short click. (Press paper feed button quickly)
- Continue through your menu selections until you are asked, "Save New Parameters?" Select "Yes" or "No".
 - To save, select "Yes", then return DIP switch 1 to the Off position (up).
 - Press the reset button. The printer resets with the new selections. You can verify the setting by printing a diagnostics form.

If you want to continue configuring the printer, select "No". The printer returns to the configuration menu.

Communication interface

Change the communication interface settings (except Ethernet) by selecting "Set Communication Interface" from the main menu and answer "Yes" to "SET INTERFACE TYPE?"

Press the paper feed button as instructed to select the communication interface you want.

To change RS-232C serial interface settings

Select "Set Communication Interface" from the main menu and answer "No" to "SET INTERFACE TYPE?" to go to the instructions for selecting the RS-232C settings.

- Press the paper feed button to select the RS-232C setting you want to change:
 - Baud rate - (1200 to 115200 baud)
 - Hardware flow control:
 - Software - (XON/XOFF)
 - Hardware - (DTR/DSR)
 - Data reception errors: Ignore errors, Print "?"
 - Alternate DTR/DSR - Enabled Disabled
- Note: Number of data bits, Stop bits, and Parity parameters can not be changed and are not shown.*
- Press the paper feed button for at least one second to validate the selection.

Emulation/Software options

To change the printer emulation, printer ID, receipt default lines per inch (LPI), or font size, enter this section through the configuration menu.

Press the paper feed button to select the setting you want to change:

- Printer emulations: Native or A756
- Printer ID: A776, A760, A758, OR A756
- Default line space: 8.13, 7.52, 6.77, or 6 lines per inch
- Font size: standard, tall, or ColorPOS

Slip Setting options

To change the A776 slip setting options, enter this section through the emulation software options section of the configuration menu.

Press the paper feed button to select the setting you want to change:

- Ignore *n* leading spaces in a 47 column text
- Enable 51-column compressed mode
- Delete the trailing spaces in a slip text line
- Set the A776 to emulate the A758 slip stop position

Select Paper Type

To change the paper type, enter the section through the configuration menu.

Press the paper feed button to select the setting you want to change:

- Type 0 (monochrome)
- Type 4 (blue/black)
- Type 5 (red/black; green/black)

DECLARATION OF CONFORMITY

Model: A776-XXXX-XXXX
 Model: B780-XXXX-XXXX (X = any alphanumeric character)
 CognitiveTPG, LLC, 950 Danby Road, Ithaca, New York, 14850

This declaration of conformity is issued under the sole responsibility of the Manufacturer: CognitiveTPG, LLC

Information Technology Equipment – Thermal Printer

The object of the declaration described above is in conformity with Directive 2011/65/EU of the European Parliament and of the Council of 8 June 2011 on the restriction of the use of certain hazardous substances in electrical and electronic equipment.

Applicable EU Directives:
 2004/108/EC (electromagnetic compatibility directive)
 2006/95/EC (low voltage directive for product safety)
 2011/65/EU (Restriction of the use of certain hazardous substances in electrical and electronic equipment)

Harmonized Standards:
 EN 50581:2012 Technical documentation for the assessment of electrical and electronic products with respect to the restriction of hazardous substances
 EN 55024:2010 Information Technology Equipment Immunity Characteristics
 EN 55022:2010/AC:2011 EMC, Class B, Limits and Methods of Measurement of Interference Characteristics of IT Equipment
 EN 60950-1:2006 + A1:2010 + A11:2009 + A12:2011
 IEC 60950-1 (ed.2):am1- Product Safety Standard.

Signed for and on behalf of CognitiveTPG, LLC
 Ithaca, NY, October 17, 2014

Jeffrey C. Phoenix
 Jeffrey C Phoenix, Regulatory Compliance Engineer, CognitiveTPG, LLC Ref #: 189-1300034 Rev F